



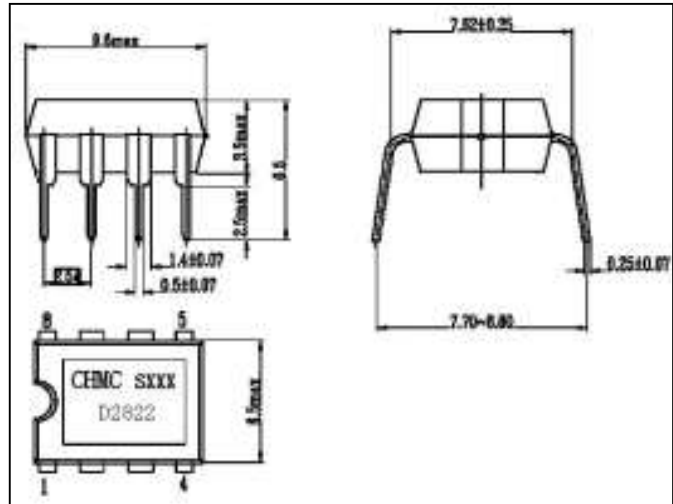
## DUAL POWER AMPLIFIER D2822

### GENERAL DESCRIPTION

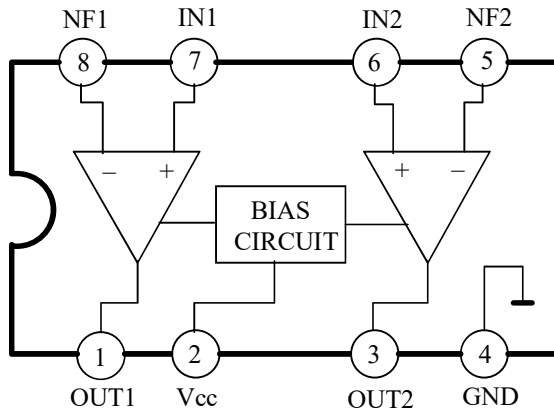
The D2822 is a monolithic integrated circuit in 8 lead Minidip package. It is intended for use as dual audio power amplifier in portable cassette tape players and radios.

### FEATURES

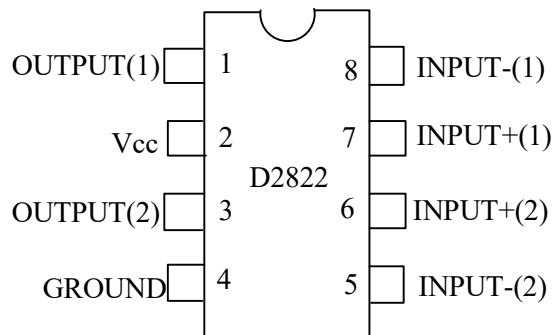
- Dual Low-voltage power amplifier
- Supply voltage down to 1.8V
- Low crossover distortion
- Low quiescent current
- Bridge or stereo configuration



### BLOCK DIAGRAM



### PINNING

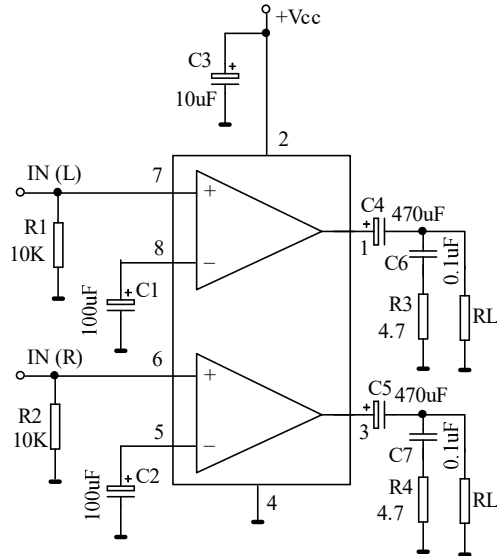




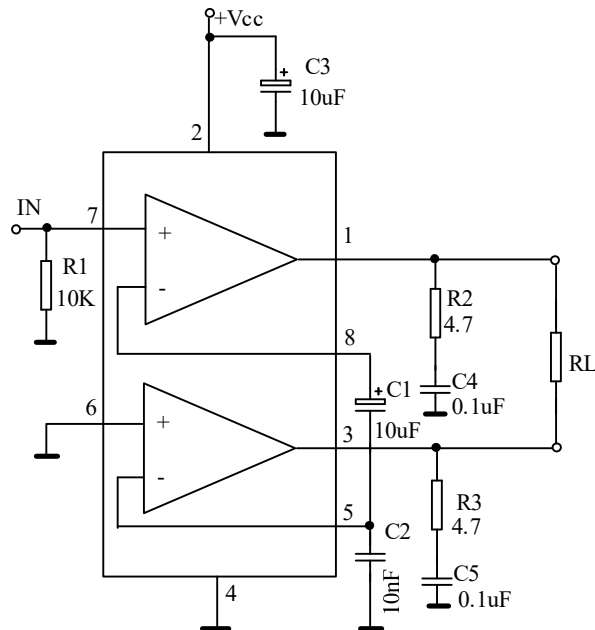


TEST CIRCUIT

1. STEREO TEST CIRCUIT

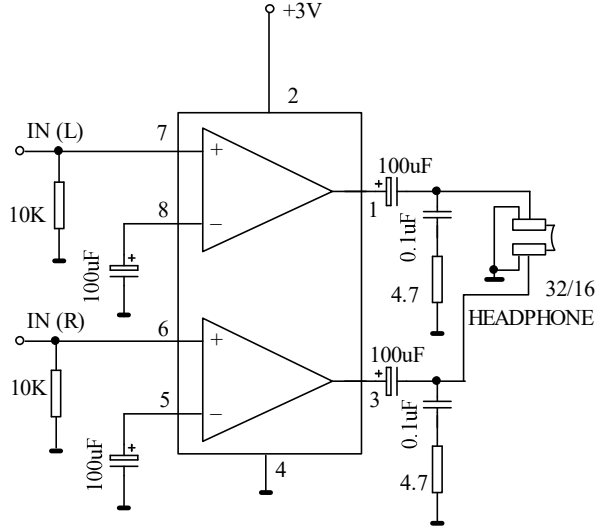


2. BRIDGE TEST CIRCUIT

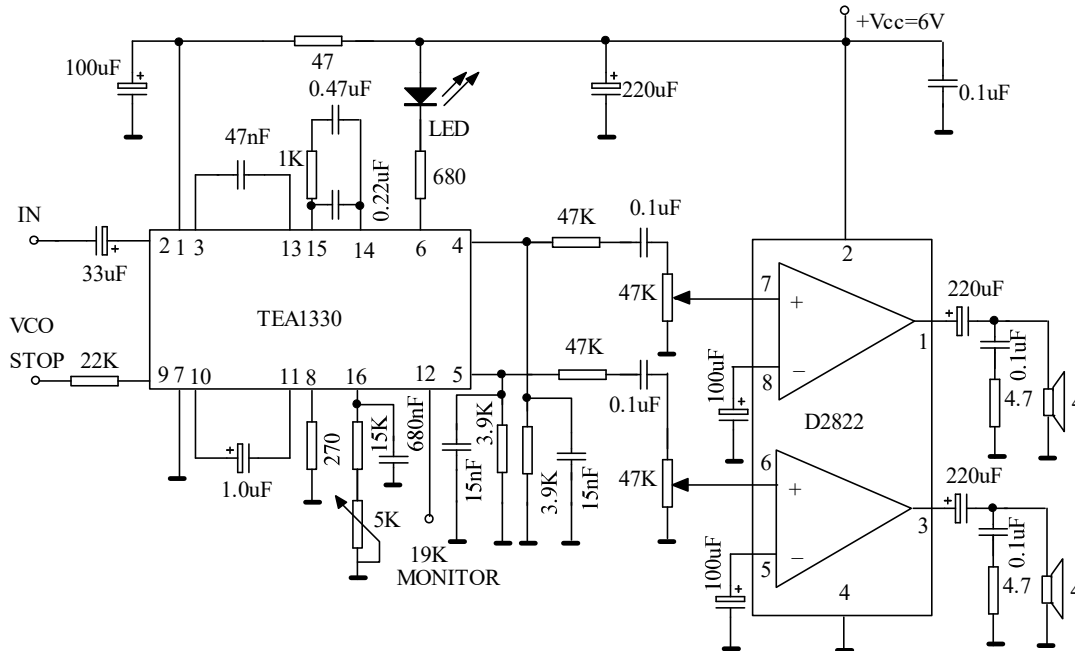


APPLICATION CIRCUIT

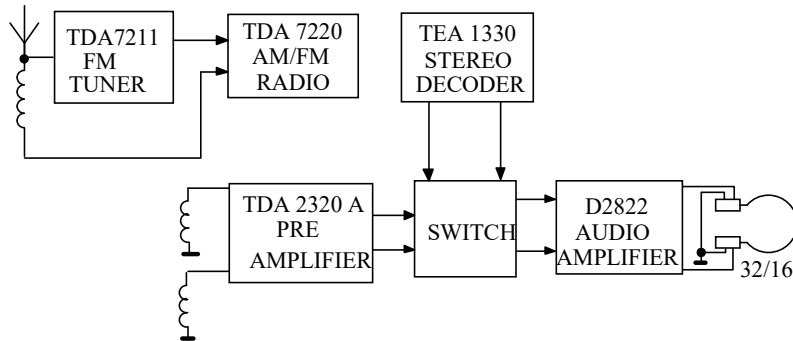
1. Typical application in portable players



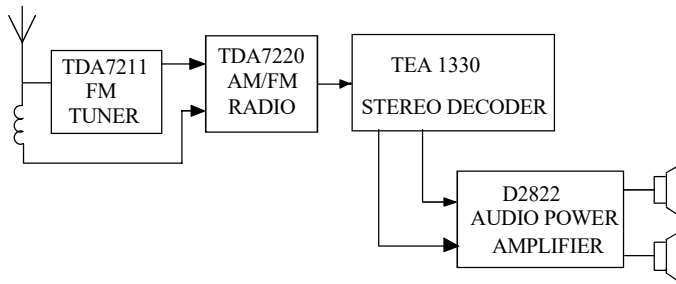
2. Application circuit for portable radio receivers



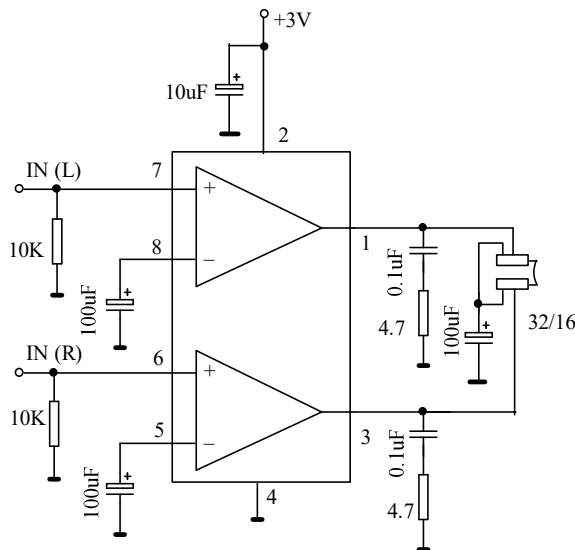
**3. Portable radio cassette players**



**4. Portable stereo radios**



**5. Low cost application for portables  
(using only one 100µF output capacitor)**



CHARACTERISTICS CURVES

Fig. 4 - Quiescent current vs. supply voltage

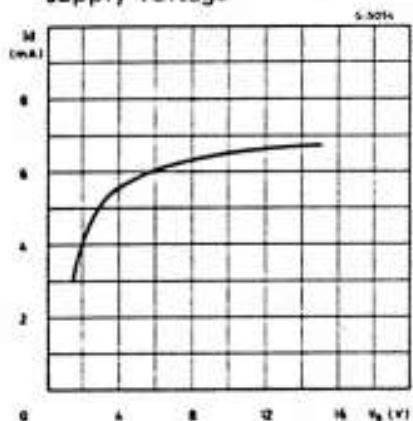


Fig. 5 - Supply voltage rejection vs. frequency (stereo)

