

FF-130RH/SH

MABUCHI MOTOR

Precious metal-brush motors

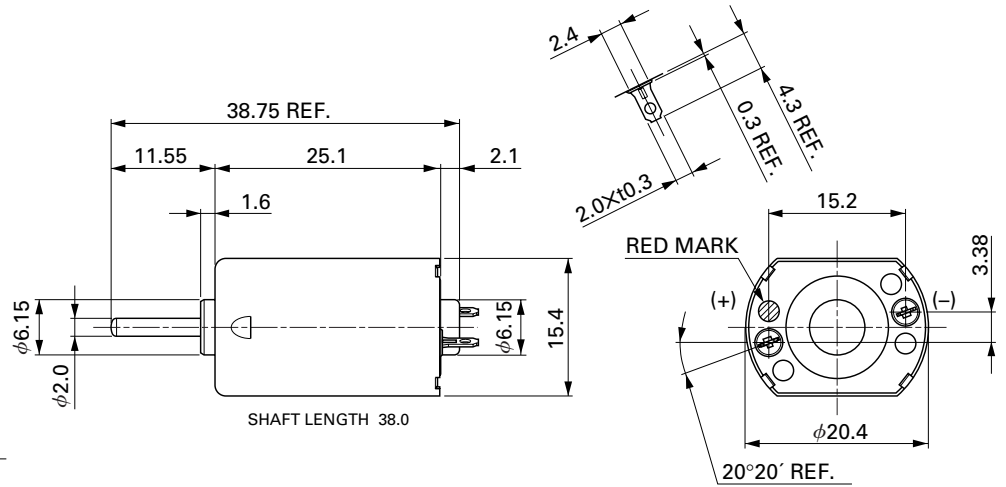
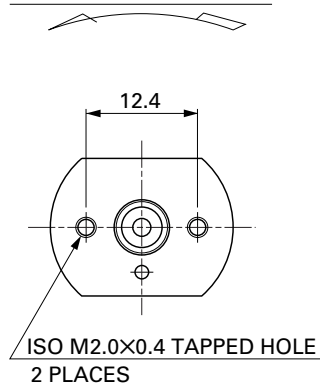
OUTPUT : 0.08W~3.3W (APPROX)

WEIGHT : 24g (APPROX)

Typical Applications Audio and Visual Equipment : Car Navigation System / CD Player

MODEL	VOLTAGE		NO LOAD		AT MAXIMUM EFFICIENCY				STALL			
	OPERATING RANGE	NOMINAL	SPEED r/min	CURRENT A	SPEED r/min	CURRENT A	TORQUE mN-m	TORQUE g-cm	OUTPUT W	TORQUE mN-m	TORQUE g-cm	CURRENT A
FF-130RH-11340	3.5~5.5	5V CONSTANT	5400	0.030	4220	0.11	0.56	5.7	0.25	2.55	26	0.38
FF-130SH-14230	2.5~10.0	6V CONSTANT	7400	0.050	6060	0.23	1.20	12.3	0.76	6.67	68	1.03
FF-130SH-11340	3~12	7.5V CONSTANT	6100	0.033	4920	0.14	1.06	10.9	0.55	5.49	56	0.57

DIRECTION OF ROTATION

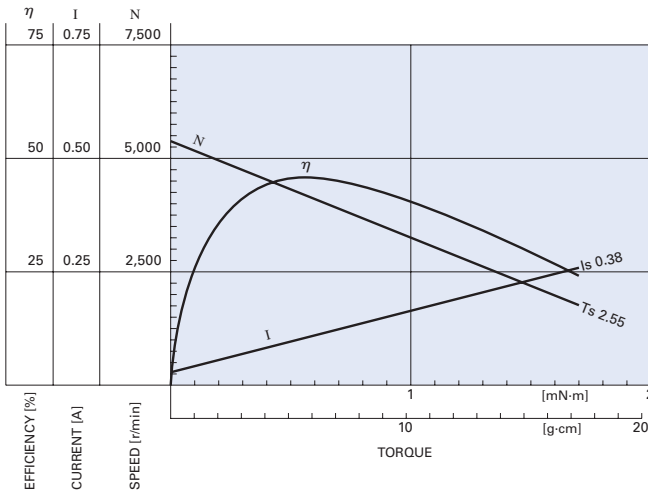


Usable machine screw length 2.0 max. from motor mounting surface.

UNIT: MILLIMETERS

FF-130RH-11340

5.0V



FF-130SH-14230

6.0V

